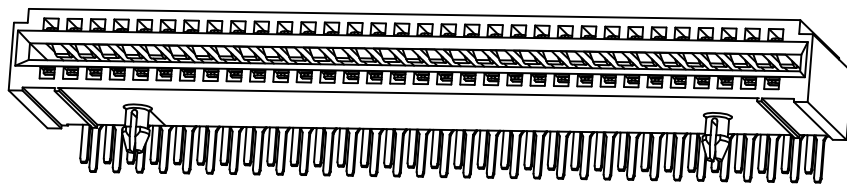
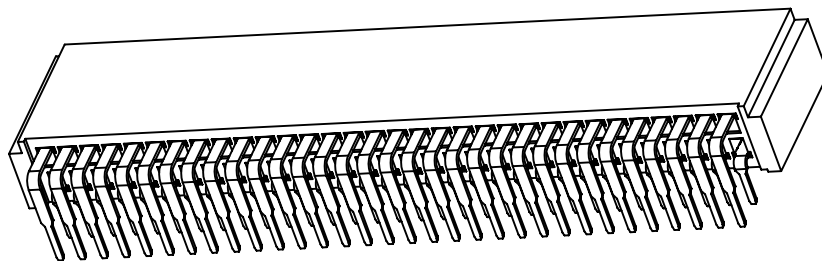


POST TYPE



BOARD LOCK TYPE



NOTES:

1. MATERIAL:
1-1 HOUSING:HIGH TEMP THERMOPLASTIC,UL94V-0.
1-2 POWER CONTACT:HIGH PERFORMANCE COPPER ALLOY
PLATING : 50u" MIN NICKEL UNDERPLATING OVER ALL
2. REFLOW SOLDER CAPABLE TO 260°C
PER ACES SPEC.
3. SPEC. PLS. REFER TO PS-52931-XXXX
4. PACKAGE PLS. REFER TO 52931-XXXX-TRAY
5. PART NUMBER

52931-XXX X X-X X X

PIN NO. _____
064 POS.
PACKING. _____
2=TRAY

CUSTOMIZED & TAIL LENGTH

NO.	DIM A
0	3.50
1	2.70

CONTACT PLATING. _____
K:30u" Au ON CONTACT AREA
100u" MAT TIN ON TAIL

PCB RETENTION

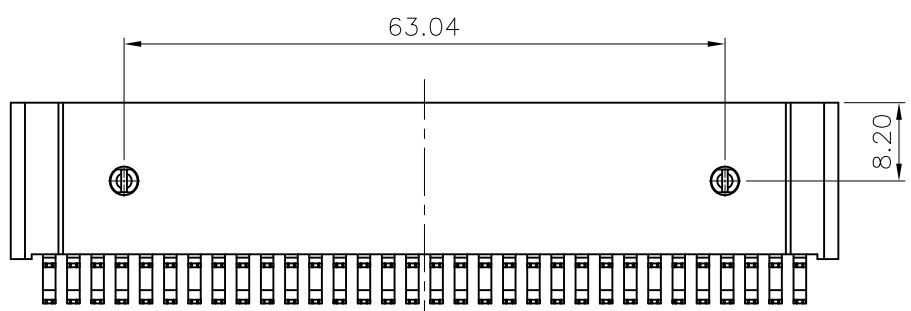
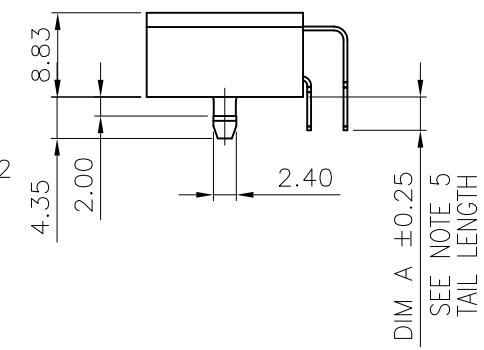
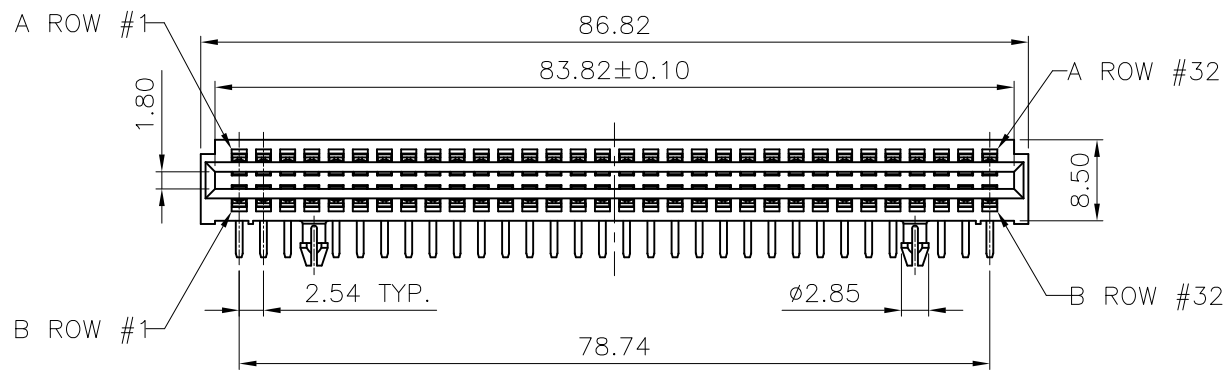
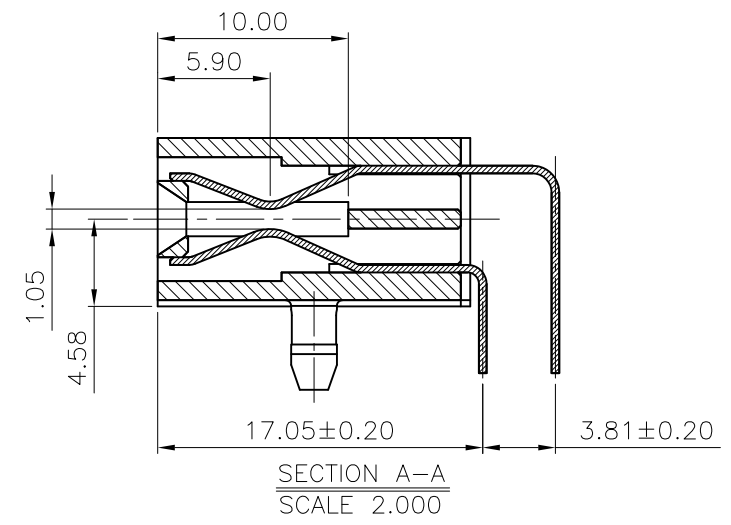
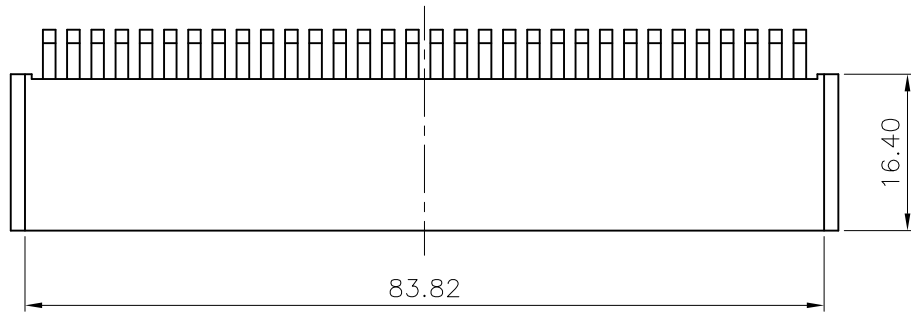
0=NONE
1=BOARD LOCK
2=POST
3=SCREW

DIRECTION & TAIL OPTION

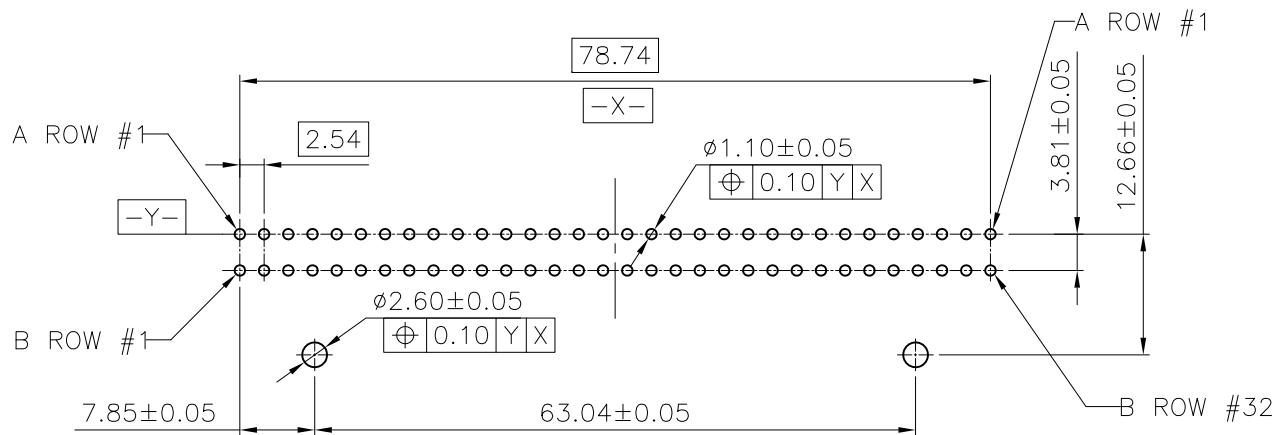
- 1=RT
- 2=RP
- 3=RS
- 4=VT
- 5=VP

DIRECTION		TAIL OPTION	
R	RIGHT ANGLE	T	THROUGH HOLE
V	VERTICAL	P	PRESS FIT
		S	STRADDLE

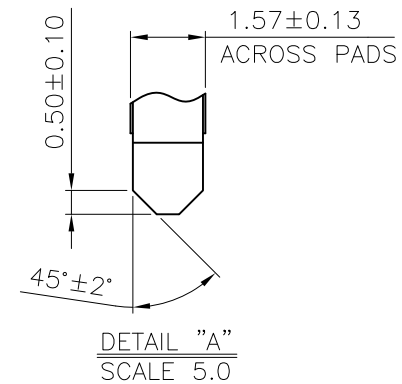
一般公差 TOLERANCES X ±0.5 XX ±0.15 X ±0.25 XXX ±0.1 ANGLES ±2°		宏致電子股份有限公司 Aces Electronic Co.,Ltd.	
檢驗尺寸標示 SYMBOLS INDICATE CLASSIFICATION DIMENSION	品名 (TITLE) POWER CARD EDGE CONNECTOR	製圖 (DR) 12/09/18 MARK	審核 (CHKD) SIMON
MARK IS CRITICAL DIM. MARK IS MAJOR DIM.	圖號 (DWG.NO) 52931-XXXX-XXX	核准 (APPD) GRAND	
表面處理 (FINISH)	比例 (SCALE) 單位 (UNITS) 1:1 mm		張數 (SHEET) SIZE REV 1 OF 3 A4 0



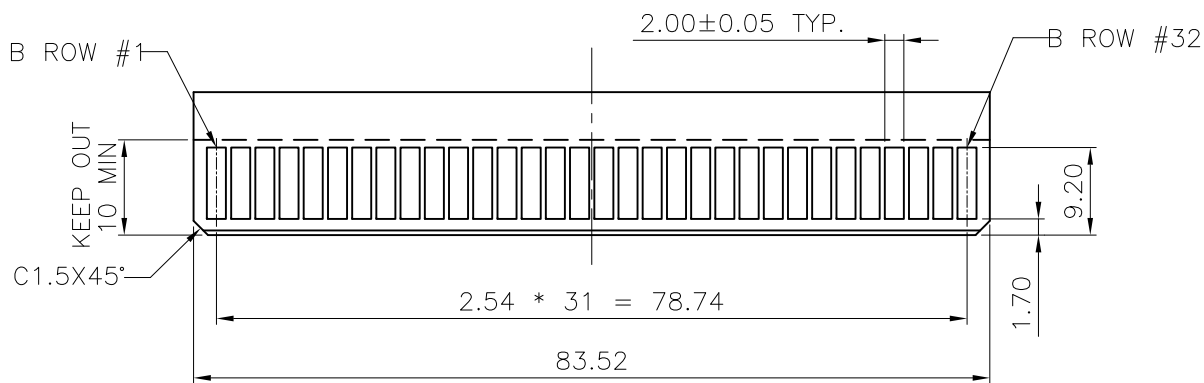
一般公差 TOLERANCES X ±0.5 .XX ±0.15 X ±0.25 .XXX ±0.1 ANGLES ±2°		宏致電子股份有限公司 Aces Electronic Co.,Ltd.	
檢驗尺寸標示 SYMBOLS $\text{\textcircled{C}}$ $\text{\textcircled{M}}$ INDICATE CLASSIFICATION DIMENSION	品名 (TITLE) POWER CARD EDGE CONNECTOR	製圖 (DR) 112/09/18	MARK
$\text{\textcircled{C}}$ MARK IS CRITICAL DIM. $\text{\textcircled{M}}$ MARK IS MAJOR DIM.	圖號 (DWG.NO) 52931-XXXXX-XXX	審核 (CHKD) SIMON	核准 (APPD) GRAND
表面處理 (FINISH)	比例 (SCALE) 單位 (UNITS) 1:1 mm	$\text{\textcircled{C}}$ $\text{\textcircled{M}}$	張數 (SHEET) SIZE REV 2 OF 3 A4 0



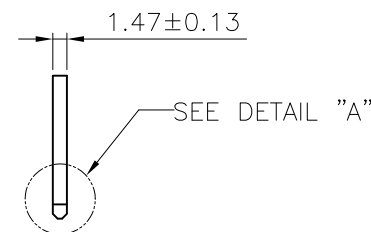
RECOMMEND PCB LAYOUT



DETAIL "A"
SCALE 5.0



RECOMMEND DAUGHTER CARD LAYOUT (TOP SIDE)



一般公差 TOLERANCES X ±0.5 .XX ±0.15 X ±0.25 .XXX ±0.1 ANGLES ±2°		宏致電子股份有限公司 Aces Electronic Co.,Ltd.	
檢驗尺寸標示 SYMBOLS	品名 (TITLE) POWER CARD EDGE CONNECTOR	製圖 (DR) 112/09/18	MARK
① INDICATE CLASSIFICATION DIMENSION ② MARK IS CRITICAL DIM. ③ MARK IS MAJOR DIM.	圖號 (DWG.NO) 52931-XXXXX-XXX	審核 (CHKD) SIMON	核准 (APPD) GRAND
表面處理 (FINISH)	比例 (SCALE) 1:1	單位 (UNITS) mm	張數 (SHEET) 3 OF 3
			SIZE A4
			REV 0